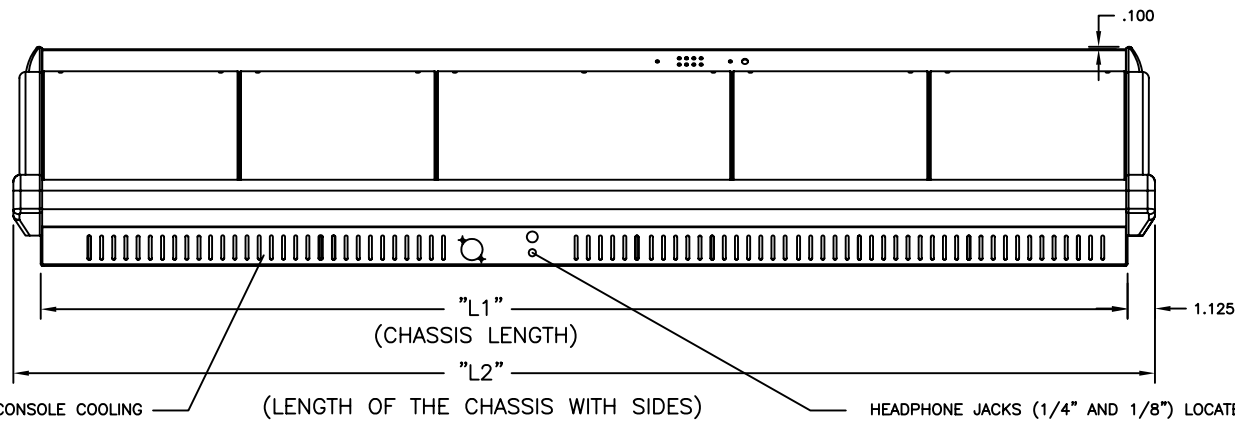


ASSEMBLED CONSOLE

/32 SIZE SHOWN

REV.	ZONE	DESCRIPTION	NAME/DATE

FRONT VIEW

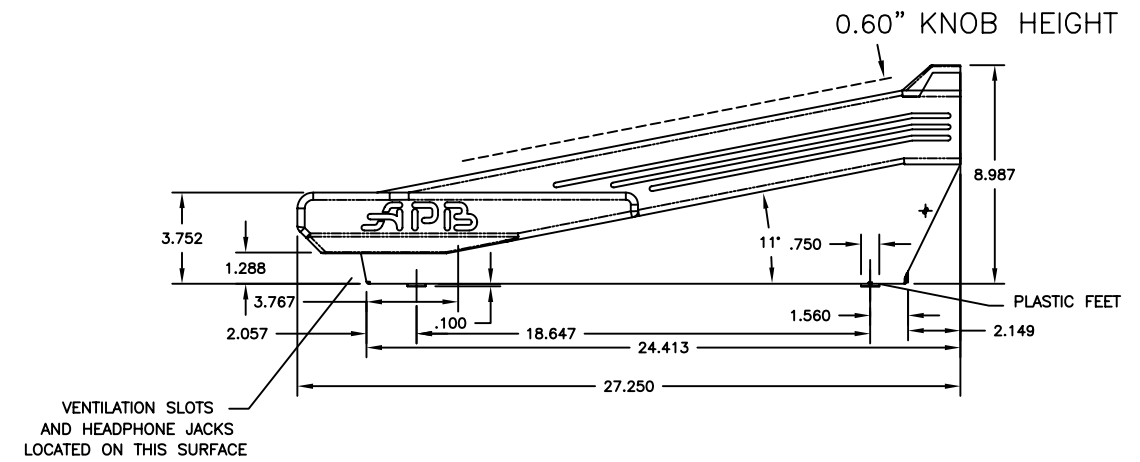


VENTILATION SLOTS USED FOR CONSOLE COOLING
DO NOT OBSTRUCT THIS SURFACE IF CONSOLE IS TO BE USED
WHILE IN THE ROADCASE

(LENGTH OF THE CHASSIS WITH SIDES)

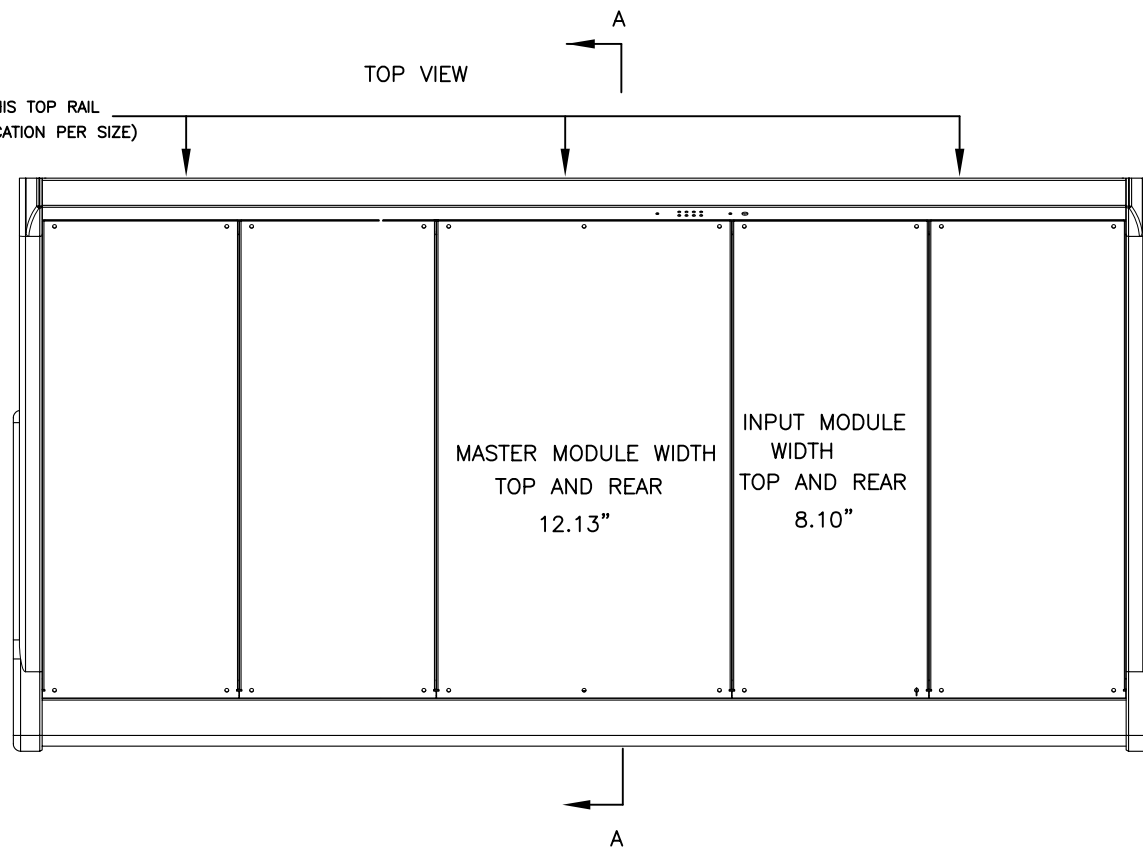
HEADPHONE JACKS (1/4" AND 1/8") LOCATED HERE
KEEP AREA CLEAR IF THE JACKS ARE TO BE USED
WHILE THE CONSOLE IS IN THE ROADCASE
(SEE SHEET 3, 4 AND 5 FOR LOCATION PER SIZE)

RIGHT SIDE VIEW



VENTILATION SLOTS
AND HEADPHONE JACKS
LOCATED ON THIS SURFACE

TOP VIEW

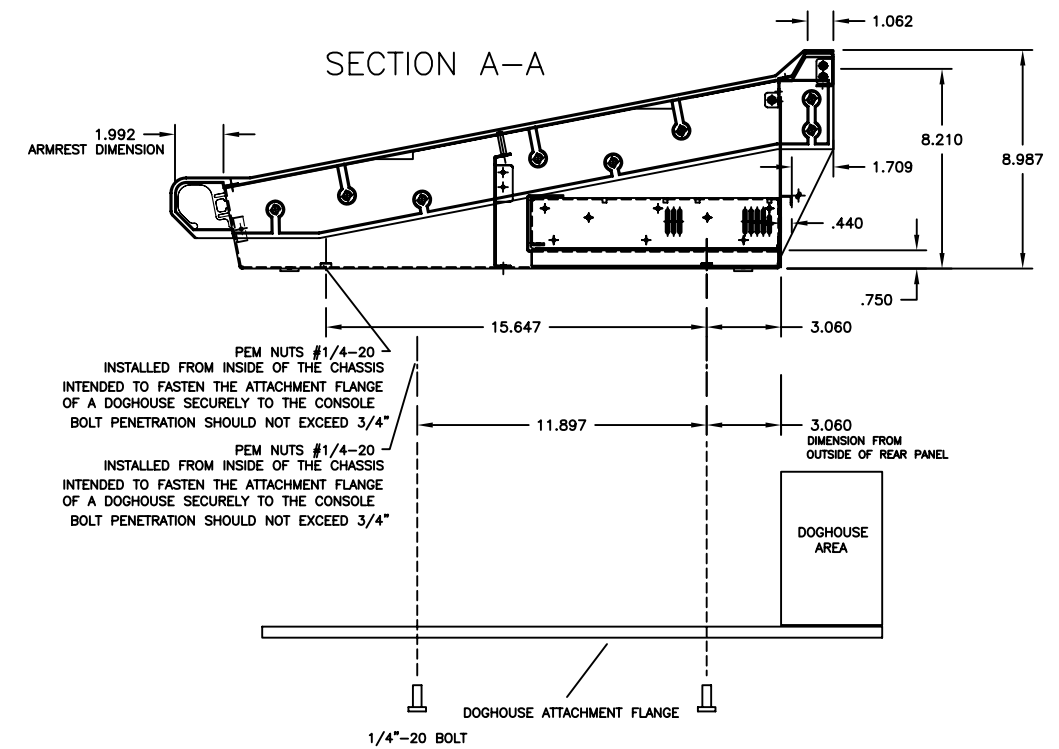


4-PIN XLR LAMP SOCKETS
LOCATED ALONG REAR FACE OF THIS TOP RAIL
(SEE SHEET 3, 4 AND 5 FOR LOCATION PER SIZE)

MASTER MODULE WIDTH
TOP AND REAR
12.13"

INPUT MODULE
WIDTH
TOP AND REAR
8.10"

SECTION A-A



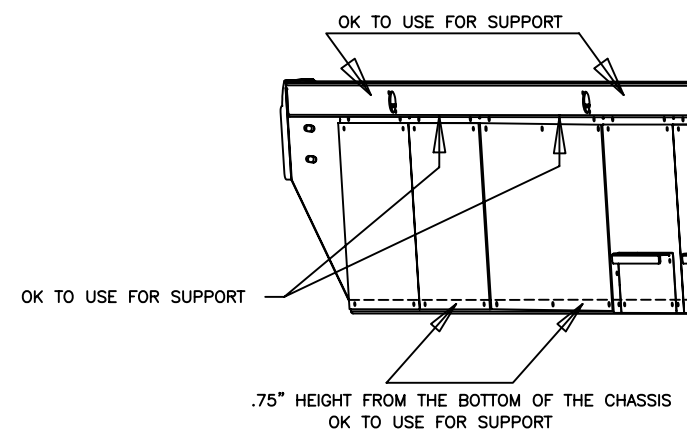
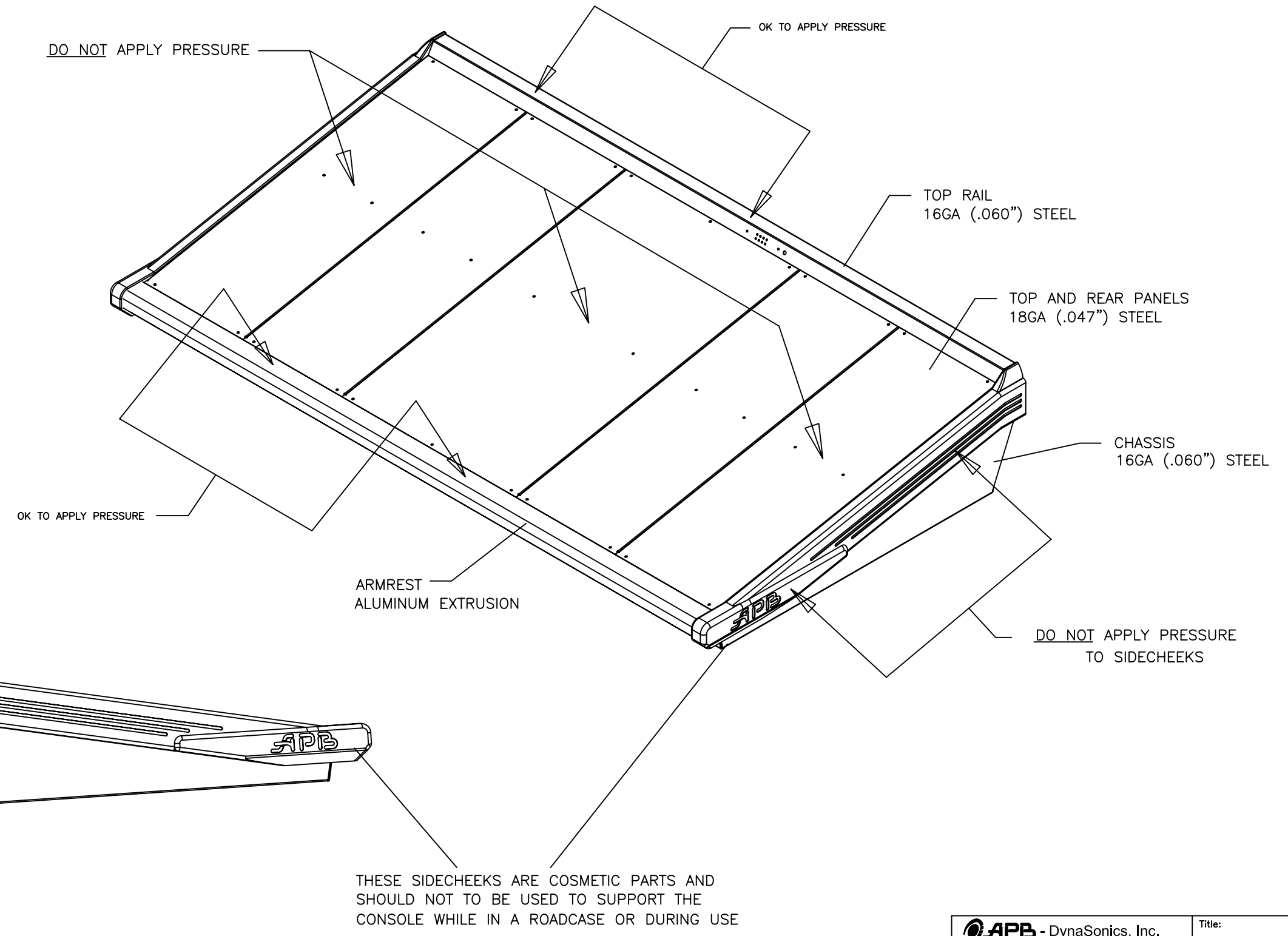
PEM NUTS #1/4-20
INTENDED TO FASTEN THE ATTACHMENT FLANGE
OF A DOGHOUSE SECURELY TO THE CONSOLE
BOLT PENETRATION SHOULD NOT EXCEED 3/4"

PEM NUTS #1/4-20
INTENDED TO FASTEN THE ATTACHMENT FLANGE
OF A DOGHOUSE SECURELY TO THE CONSOLE
BOLT PENETRATION SHOULD NOT EXCEED 3/4"

VARIABLE LENGTH PER CHASSIS SIZE

SIZE LENGTH"	/24	/32	/40	/48
"L1"	42.22	50.32	58.42	66.52
"L2"	44.47	52.57	60.67	68.77

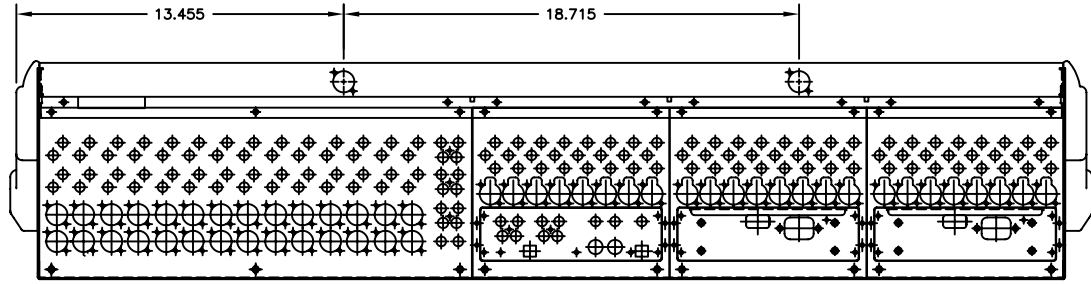
		Title: PRO DESK & CONSOLE CHASSIS ASSEMBLY INFORMATION FOR ROAD CASE DESIGN	
20 West End Road Totowa, NJ 07512		APB P/N:	
Dr. By: OG	Date: 04/20/05	Scale:	Dwg#: 4D0341
App. By:	Date:	DO NOT SCALE DRAWING	Rev.: A
Tolerance: .xx: +/- .02 .xxx: +/- .01 <+/-	Material:	Finish:	Sheet: 1 OF 5



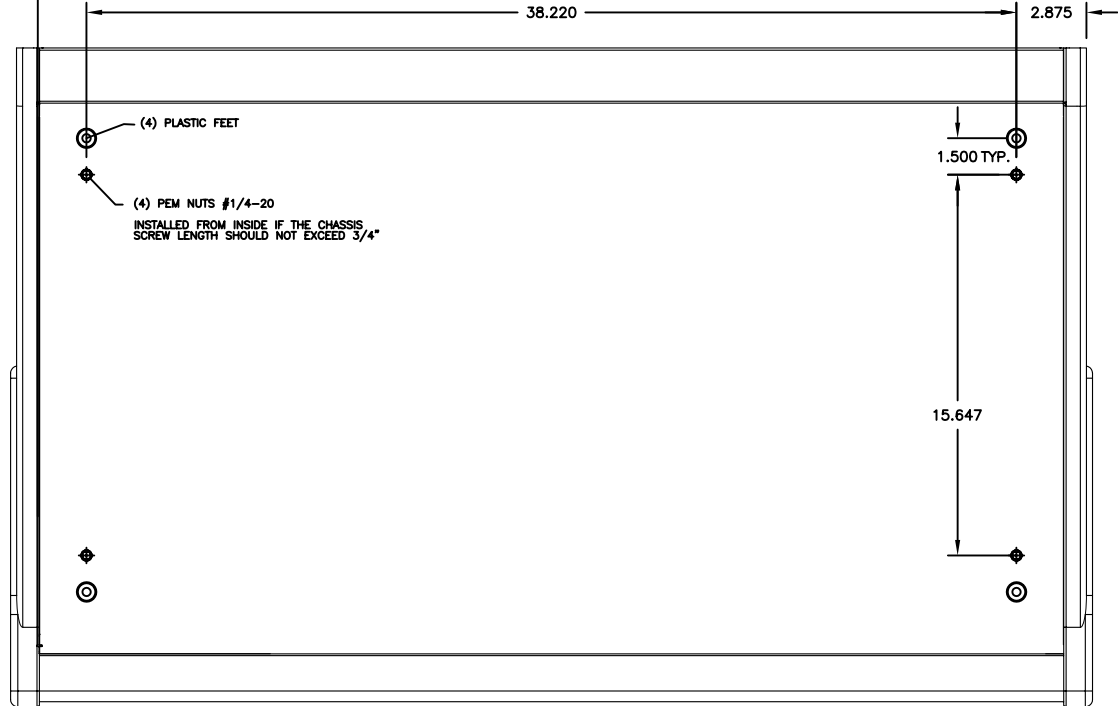
			Title: PRO DESK 8 CONSOLE CHASSIS ASSEMBLY INFORMATION FOR ROAD CASE DESIGN	
Dr.By: OG	Date: 04/20/05	APB P/N:		Dwg#: 4D0341
Chk.By:	Date:	Scale:	Rev.: A	
App.By:	Date:	DO NOT SCALE DRAWING		Sheet: 2 OF 5
Tolerance: .xx: +/- .02 .xxx: +/- .01 <+/- .1	Material:	Finish:		

/24 ASSEMBLY

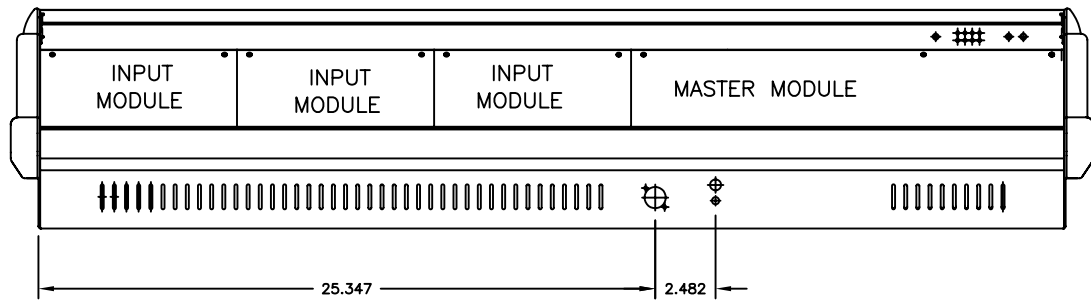
REAR VIEW



BOTTOM VIEW

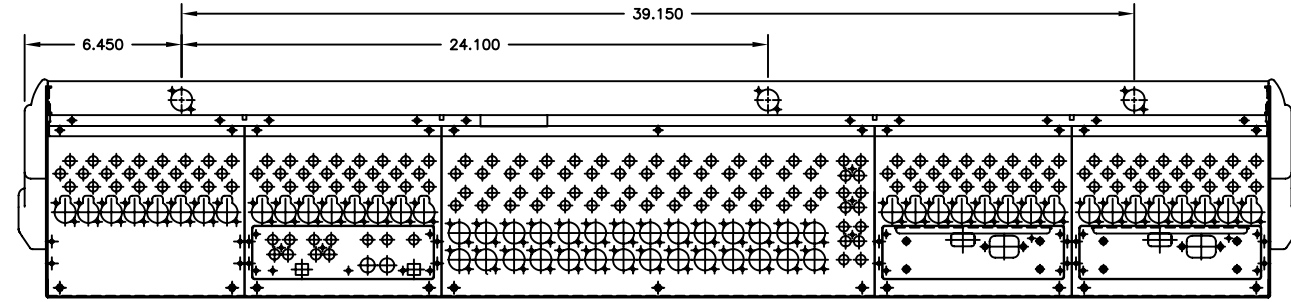


FRONT VIEW

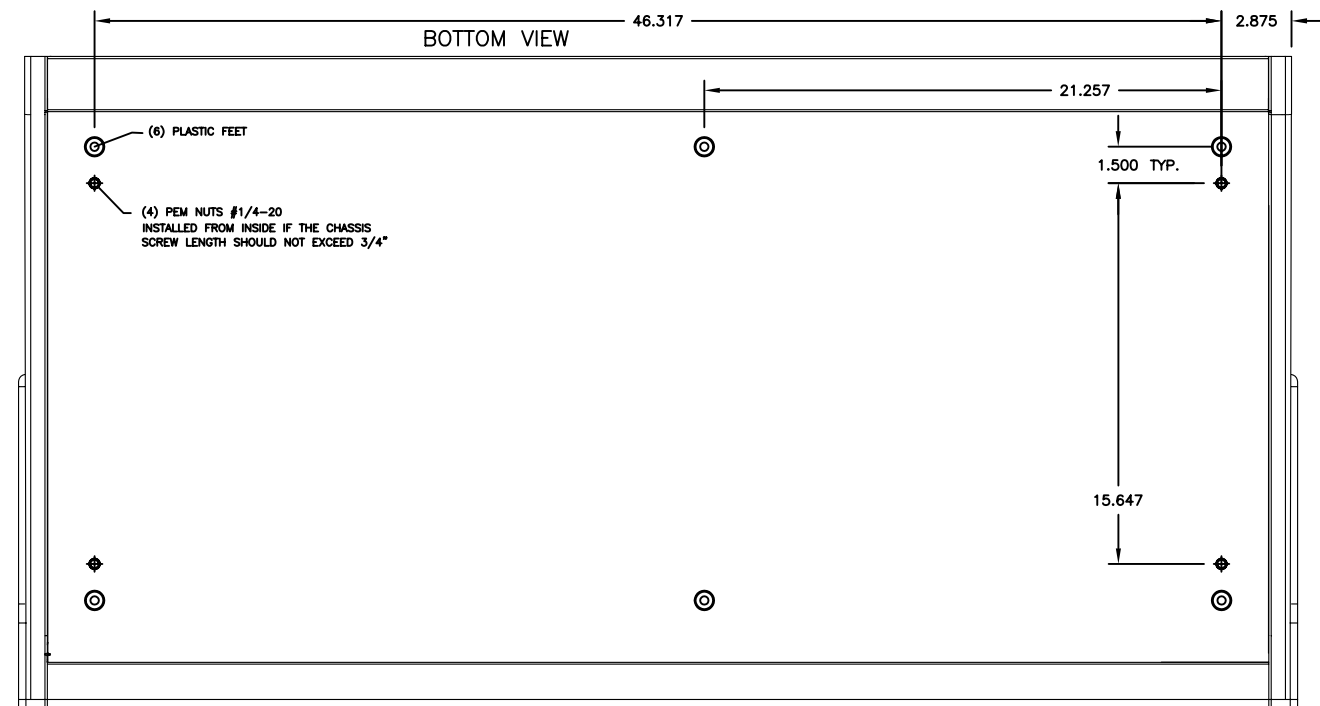


/32 ASSEMBLY

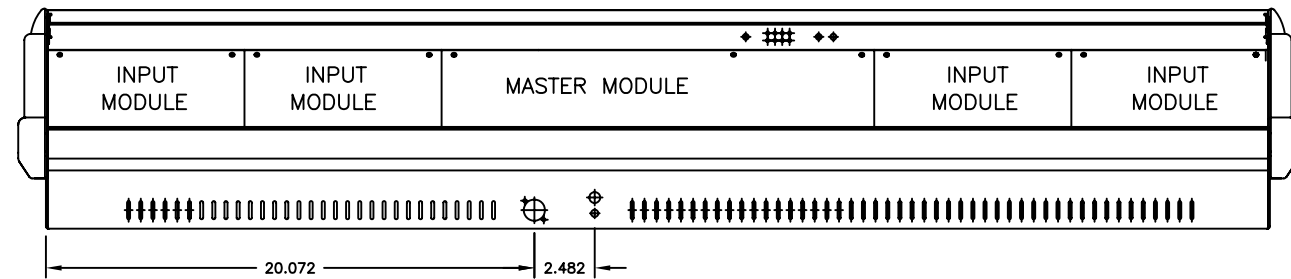
REAR VIEW



BOTTOM VIEW

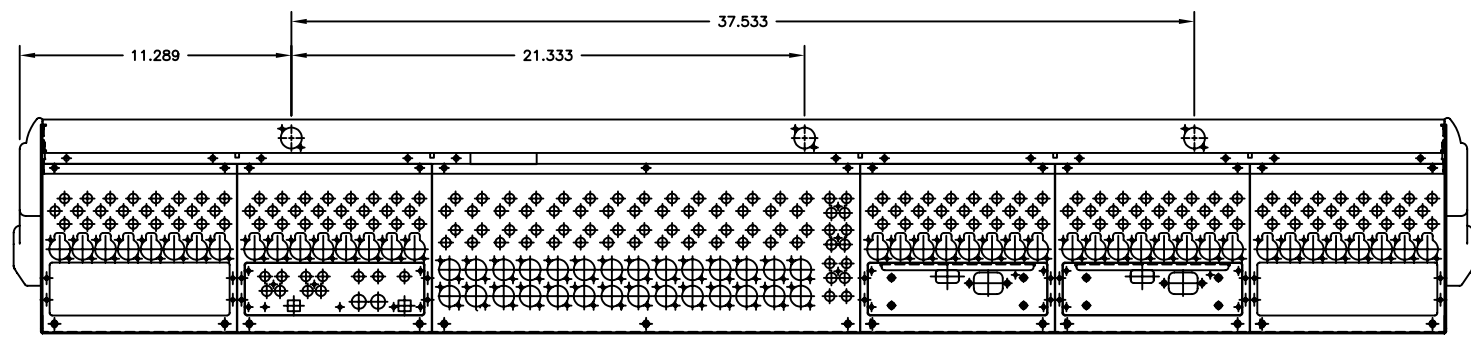


FRONT VIEW

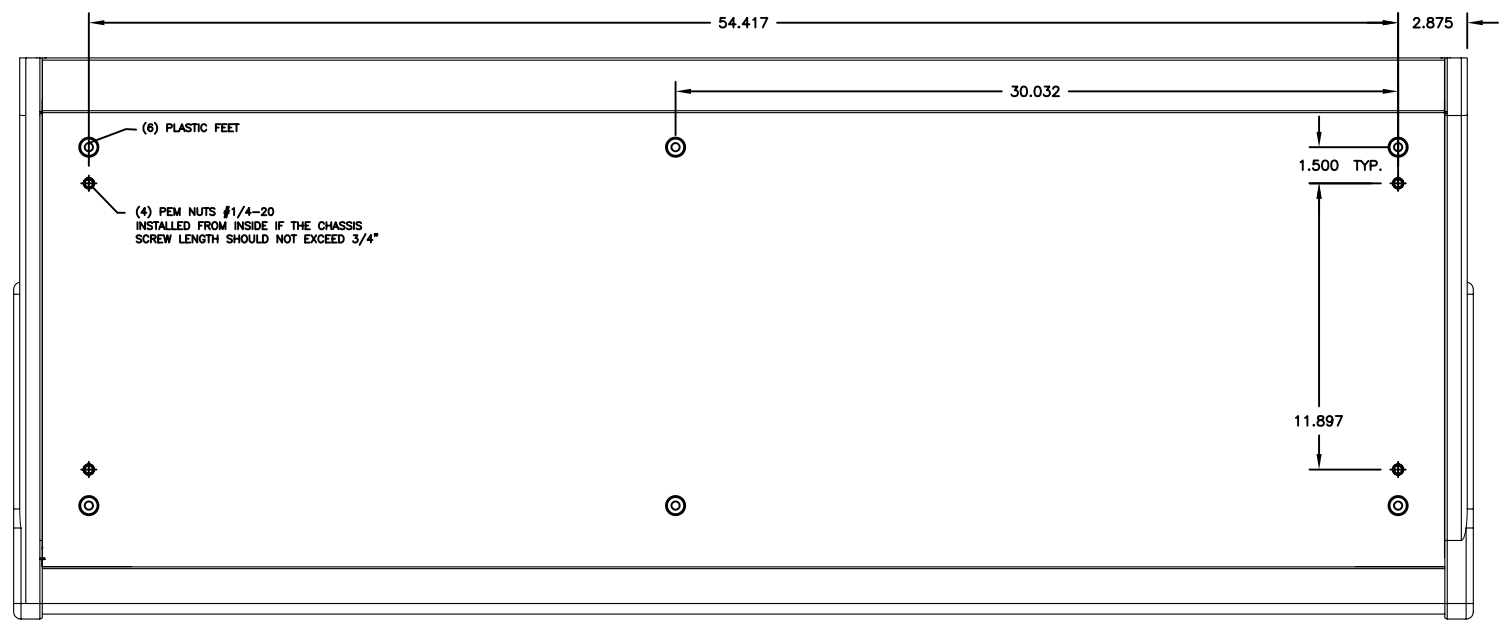


			Title: PRO DESK 8 CONSOLE CHASSIS ASSEMBLY INFORMATION FOR ROAD CASE DESIGN	
Dr.By: OG	Date: 04/20/05	APB P/N:	Dwg#: 4D0341	Rev.: A
Chk.By:	Date:	Scale:		
App.By:	Date:	DO NOT SCALE DRAWING	Sheet: 3 OF 5	
Tolerance: XX: +/- .02 .XXX: +/- .01 <+/- .1	Material:	Finish:		

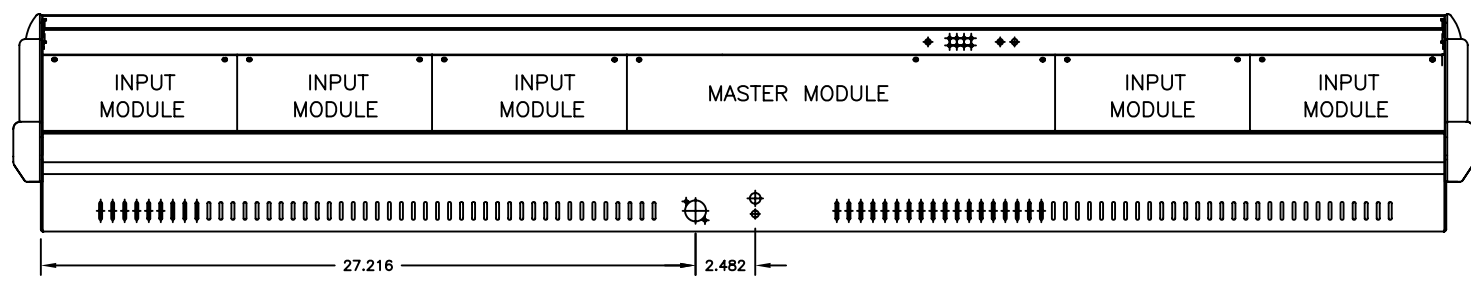
/40 ASSEMBLY
REAR VIEW



BOTTOM VIEW



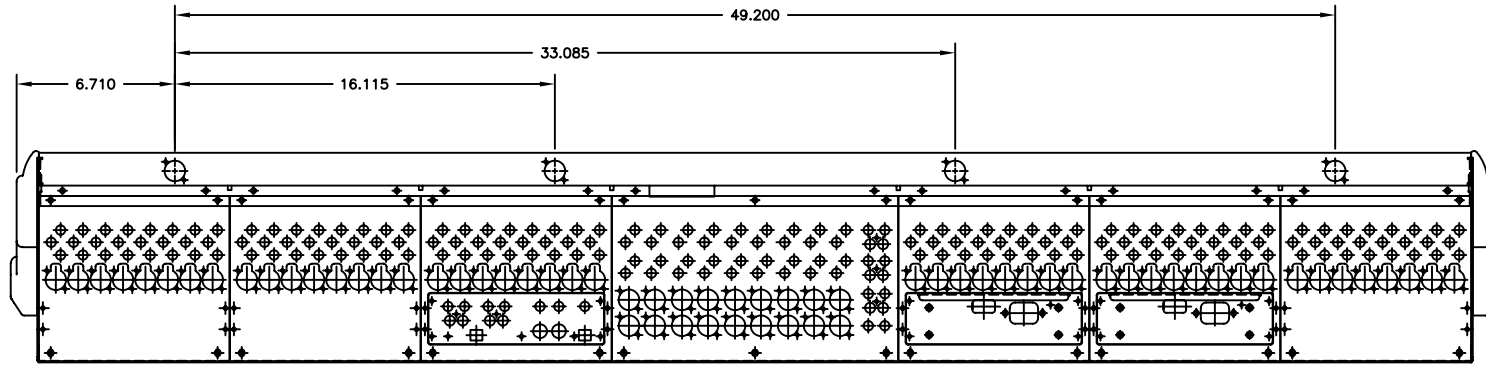
FRONT VIEW



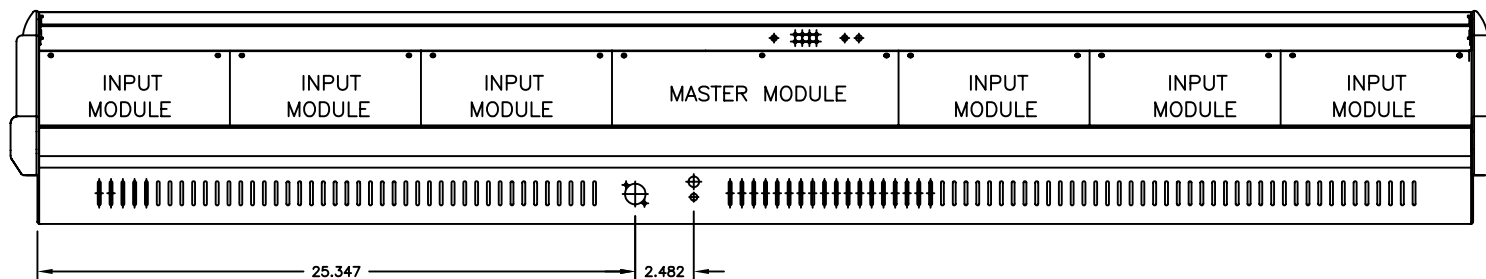
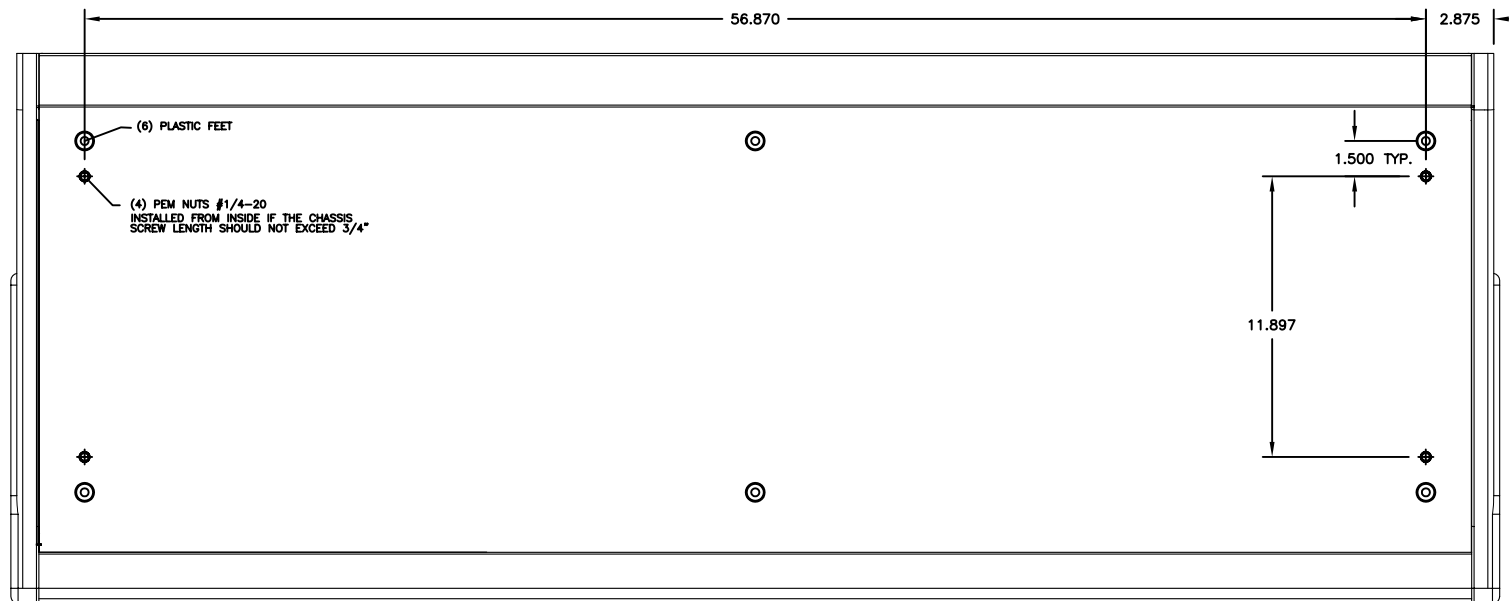
			Title: PRO DESK 8 CONSOLE CHASSIS ASSEMBLY INFORMATION FOR ROAD CASE DESIGN	
20 West End Road Totowa, NJ 07512			APB P/N:	
Dr. By: OG	Date: 04/20/05			
App. By:	Date:	Scale:	Dwg#: 4D0341	Rev.: A
Tolerance: .XX: +/- .02 .XXX: +/- .01 <+/- .1"		Material:	Finish:	Sheet: 4 OF 5

12 11 10 9 8 7 6 5 4 3 2 1

/48 ASSEMBLY
REAR VIEW



BOTTOM VIEW



			Title: PRO DESK8 CONSOLE CHASSIS ASSEMBLY INFORMATION FOR ROAD CASE DESIGN	
Dr.By: OG Date: 04/20/05	APB P/N:		Dwg#: 4D0341	Rev.: A
Chk.By:	Scale:			
App.By:	DO NOT SCALE DRAWING		Sheet: 5 OF 5	
Tolerance: .XX: +/- .02 XXX: +/- .01 <+/- .1	Material:	Finish:		

12 11 10 9 8 7 6 5 4 3 2 1